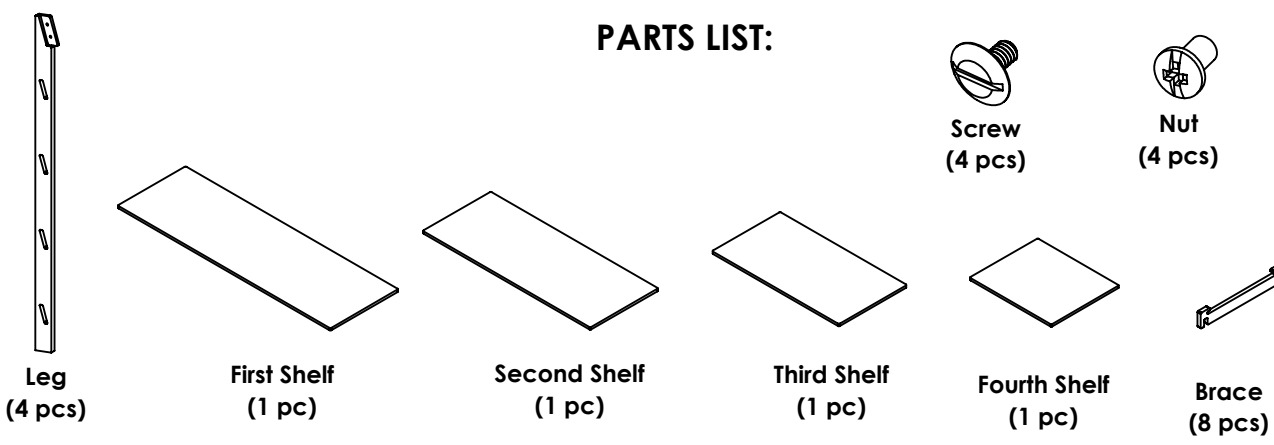


ASSEMBLY INSTRUCTIONS

READ ALL INSTRUCTIONS BEFORE YOU BEGIN. PLEASE FOLLOW THE STEPS IN ORDER.

PARTS LIST:

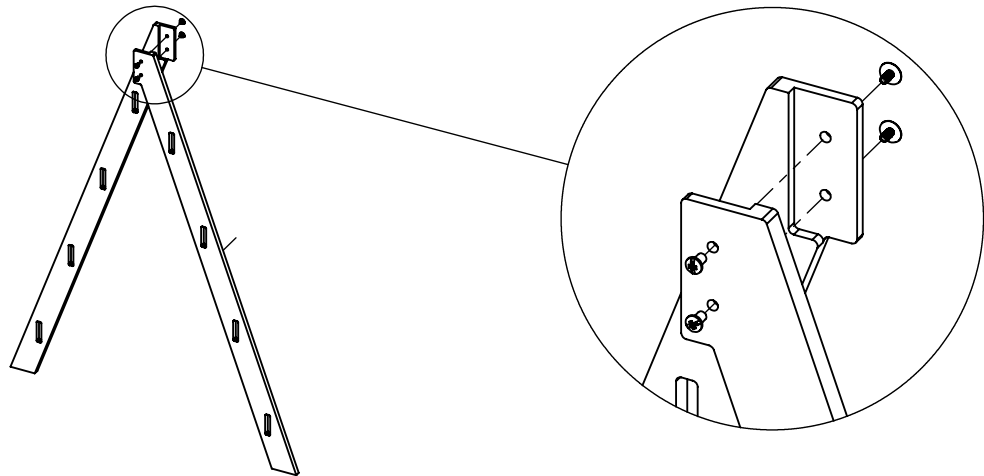


Leg (4 pcs) First Shelf (1 pc) Second Shelf (1 pc) Third Shelf (1 pc) Fourth Shelf (1 pc) Brace (8 pcs)

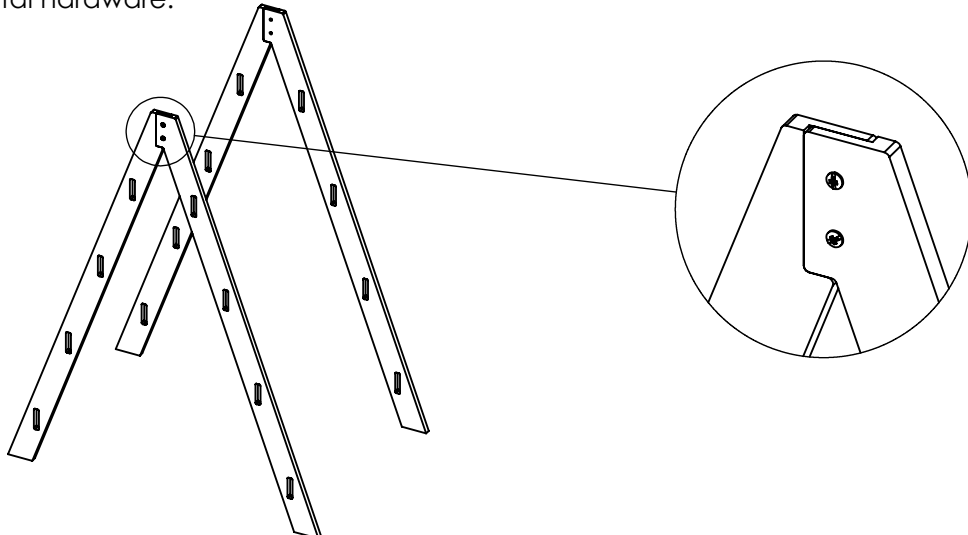
Screw (4 pcs) Nut (4 pcs)

*Tools Required for assembly : Flathead & Phillips-head screwdriver (Not Included)

STEP 1: Connect (2x) legs by assembling the Screw & Nut to the top holes of the legs. This connection should feel snug but do not overtighten the metal hardware.



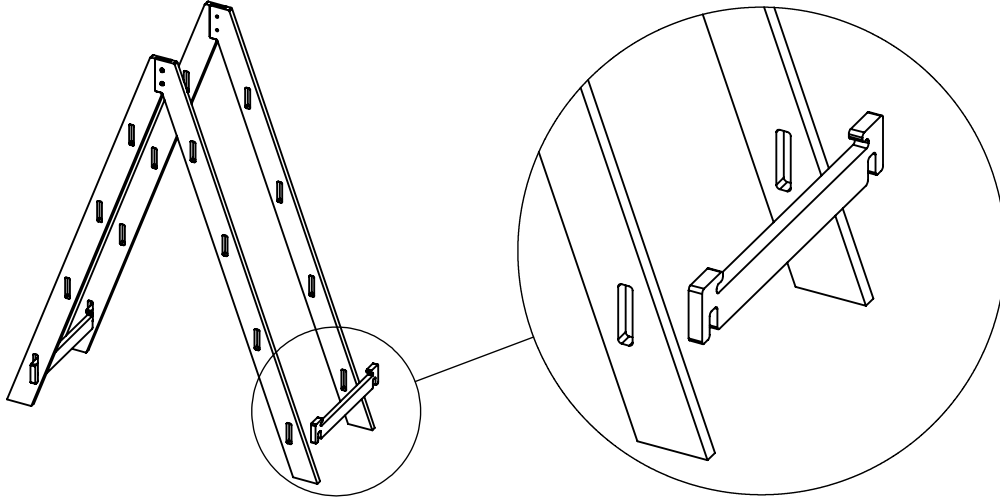
STEP 2: Repeat Step-1 to assemble the second set of legs. This connection should feel snug but do not overtighten the metal hardware.



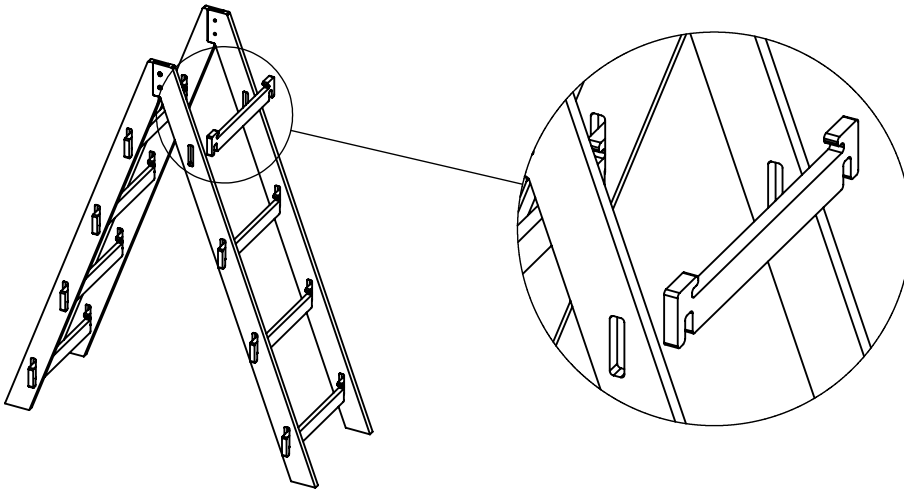
ASSEMBLY INSTRUCTIONS

READ ALL INSTRUCTIONS BEFORE YOU BEGIN. PLEASE FOLLOW THE STEPS IN ORDER.

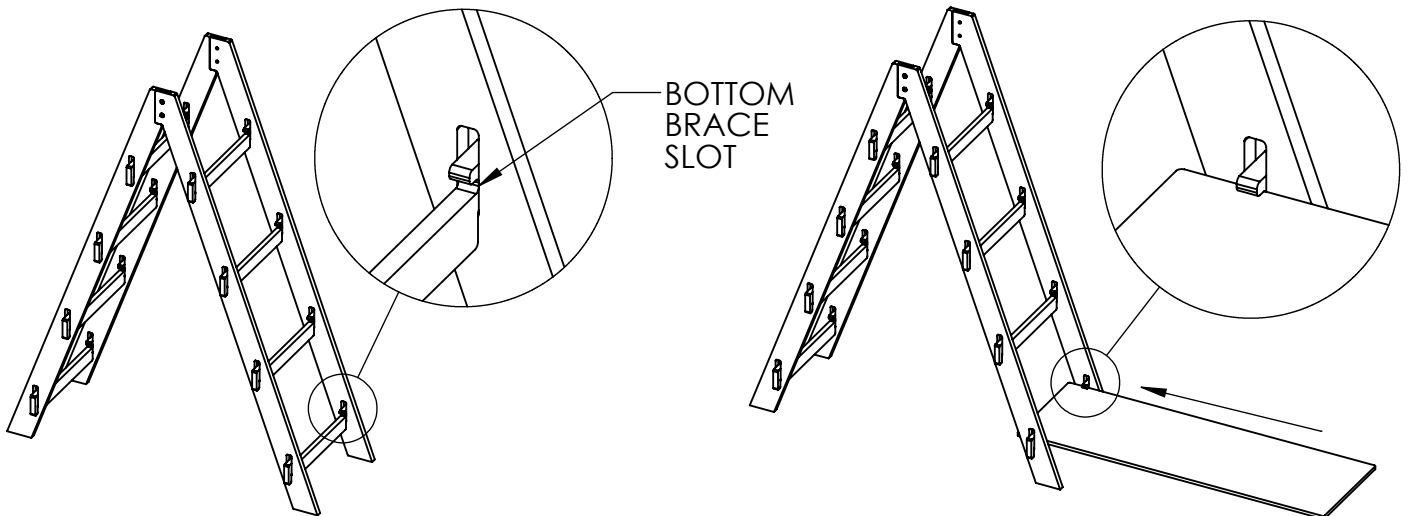
STEP 3: Attach (2x) braces to the bottom slots of the legs.



STEP 4: Continue to attach the remaining (6x) braces towards the top slots of the legs.



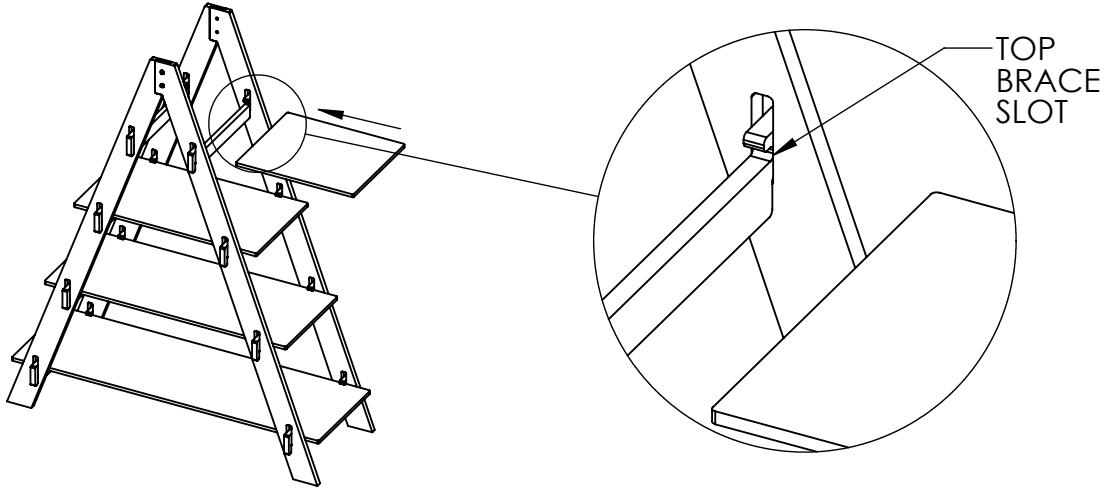
STEP 5: Slide the first shelf into the bottom brace slot.



ASSEMBLY INSTRUCTIONS

READ ALL INSTRUCTIONS BEFORE YOU BEGIN. PLEASE FOLLOW THE STEPS IN ORDER.

STEP 6: Slide the fourth shelf into the top brace slot.



ASSEMBLED PORTABLE WOODEN 4 SHELF A FRAME DISPLAY

